

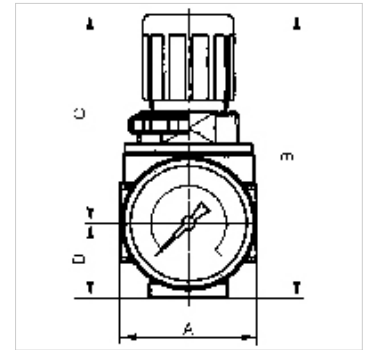
K-DRG DRVS MULTIFIX MINI

Pressure regulators with pressure supply at both ends

HANSA FLEX

Karakteristike

| | |
|------------------------------|--|
| Ulazni tlak | Max. 16 bar |
| Temperatura medija | max. 60 °C |
| Okolna temperatura | Max. 60 °C |
| Brtveni materijal | NBR |
| Pokrov s oprugom | POM-brass |
| Kućište | Die-cast zinc |
| Mjerenje vrijednosti protoka | At P1 = 8 bar, P2 = 6 bar and pressure drop $\Delta p = 1$ bar |



Napomena

Drugi podatci na zahtjev.

Opis

Diaphragm pressure regulators with self-relieving design for mounting side by side. The pressure setting can be locked by pushing the button down.

By assembling two or more controllers together, it is possible to supply several working air circuits with different output pressures via a single supply line.

Napomene uz narudžbu

The port for the output pressure (P2) is on the rear! K-07250028: G 1/8. Lockable pressure regulator: K-07250027. If several devices in the »multifix-mini« Series are assembled together, the maximum working pressure is 12 bar.

Artikli

| Naziv | Navoj | Regulacijsko područje | Protok (L/min) | A (mm) | B | C (mm) | D (mm) | DN | Veličina |
|----------------|-------|-----------------------|----------------|--------|---------|--------|--------|----|----------|
| K- 07 25 00 28 | G 1/4 | 0.1 - 3 bar | 1200 | 40,0 | 85,0 mm | 63,0 | 22,0 | 5 | 0 |
| K- 07 25 00 29 | G 1/4 | 0.2 - 6 bar | 1200 | 40,0 | 85,0 mm | 63,0 | 22,0 | 5 | 0 |
| K- 07 25 00 27 | G 1/4 | 0.5 - 10 bar | 1200 | 40,0 | 85,0 mm | 63,0 | 22,0 | 5 | 0 |

Rezervni dijelovi

| | |
|---------------------|----------------------|
| K-HALTERBAUSATZ | Holder |
| K-SCHALTTAFELMUTTER | Nut |
| K-KOPPELPAKET MEHR | Coupling packet |
| K-VERSCHLEI-SATZ | Set of wearing parts |