

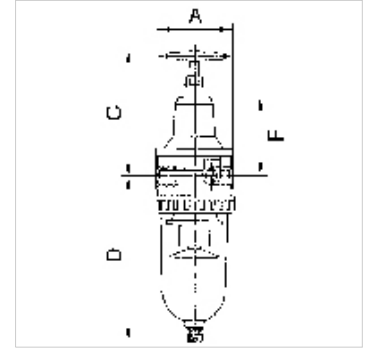
K-FI REGL METALLBEHAE M ABLV STANDA

Filter regulators with metal bowl and manual drain valve

HANSA FLEX

Karakteristike

Ulazni tlak	Max. 16 bar (polycarbonate bowl), Max. 25 bar (metal bowl)
Regulacijsko područje	0.5 to 10 bar (polycarbonate bowl), 0.5 to 16 bar (metal bowl)
Temperatura medija	max. 60 °C
Okolna temperatura	Max. 60 °C
Veličina pora u filteraskom elementu	5 µm (Size 1 / Size 3), 40 µm (Size 2 / Size 4)
Brtveni materijal	NBR
Kućište	Die-cast zinc (G1/4 to G1/2), silver painted/aluminium (G3/4 to G1), silver painted
Mjerenje vrijednosti protoka	At P1 = 8 bar, P2 = 6 bar and pressure drop $\Delta p = 1$ bar



Napomena

Drugi podatci na zahtjev.

Opis

Reversible diaphragm pressure regulators, independent of inlet pressure, with selfrelieving design, combined with a centrifugal separator.

Artikli

Naziv	Navoj	Protok (L/min)	A (mm)	C (mm)	D (mm)	DN	F (mm)
K- 07 25 06 69	G 1/4	900	54,0	106,5	133,5	8	62,0
K- 07 25 06 72	G 3/8	900	54,0	106,5	133,5	8	62,0
K- 07 25 06 75	G 3/8	1500	70,0	120,5	161,0	11	76,5
K- 07 25 06 77	G 1/2	3000	82,0	130,0	172,0	14	83,0
K- 07 25 06 80	G 3/4	7000	125,0	190,6	264,0	25	145,0
K- 07 25 06 83	G 1	7000	125,0	190,6	264,0	25	145,0

Rezervni dijelovi

K-HALTERBAUSATZ STANDARD	Holder
K-SCHUTZKORB G	Protective cage
K-FILTERELEMENT	Filter element
K-VERSCHLEI-SATZ	Set of wearing parts
K-XV AGM MS NI	Double nipples, parallel male thread, nickel-plated brass
K-LOESBARE DOPPELNIPPEL MS	Double nipples
K-ABLASSVENTIL AUTO	Fully-automatic drain valve with Adapter G 1/8
K-AUTOMAT ABLASSVENTIL	Automatic drain valve