

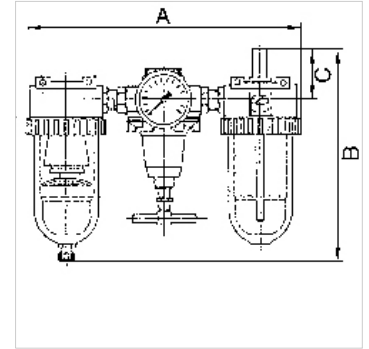
# K-WTEH 3-TLG PC SCHU H ABL STANDARD

Service units with polycarbonate bowl, bowl guard and semi-automatic drain valve

**HANSA FLEX**

## Karakteristike

Ulazni tlak	Max. 16 bar (polycarbonate bowl / bowl guard), Max. 25 bar (metal bowl)
Regulacijsko područje	0.5 to 10 bar (polycarbonate bowl / bowl guard) 0.5 to 16 bar (metal bowl)
Temperatura medija	max. 60 °C
Okolna temperatura	Max. 60 °C
Veličina pora u filteraskom elementu	5 µm (G 1/4 / G 3/8 / G 1/2), 40 µm (G 3/8 / G 3/4 / G 1 / G 1 1/4 / G 1 1/2)
Brtveni materijal	NBR
Kućiče	Die-cast zinc / Aluminium, painted silver
Nastavak za kapanje	PA (polycarbonate bowl), Zinc-glass-NBR (metal bowl)
Mjerenje vrijednosti protoka	At P1 = 8 bar, P2 = 6 bar and pressure drop $\Delta p = 1$ bar
Drugi podatci	User manual on request



## Opis

Three-piece service units consisting of a reversible diaphragm pressure regulator, independent of inlet pressure, with self-relieving design, centrifugal separator and proportional lubricator.

## Artikli

Naziv	Navoj	Protok (L/min)	A (mm)	B	C (mm)	DN	Ø manometra
K- 07 25 14 51	G 1/4	600	172,0	182,6 mm	51,0	6	50
K- 07 25 14 58	G 3/8	600	185,0	182,6 mm	51,0	6	50
K- 07 25 14 61	G 3/8	1400	232,0	196,7 mm	51,0	6	50
K- 07 25 14 64	G 1/2	3200	259,0	223,4 mm	55,0	15	63
K- 07 25 14 67	G 3/4	3200	302,0	227,9 mm	58,0	20	63
K- 07 25 14 70	G 1	3200	302,0	227,9 mm	58,0	25	63
K- 07 25 14 73	G 1 1/4	5000	395,0	313,4 mm	70,0	25	63
K- 07 25 14 76	G 1 1/2	5000	395,0	313,4 mm	70,0	35	63

## Rezervni dijelovi

K-HALTERBAUSATZ STANDARD	Holder
K-SCHUTZKORB G	Protective cage
K-VERSCHLEI-SATZ	Set of wearing parts
K-FILTERELEMENT	Filter element
K-TROPFAUFSATZ POLYCARBO	Drip attachment polycarbonate
K-LOESBARE DOPPELNIPPEL MS	Double nipples
K-XV AGM MS NI	Double nipples, parallel male thread, nickel-plated brass
K-RD NIPPEL MS NI	Reducing nipples - nickel-plated brass
K-TROPFAUFSATZ METALL	Drip attachment metal
K-ABLASSVENTIL AUTO	Fully-automatic drain valve with Adapter G 1/8
K-AUTOMAT ABLASSVENTIL	Automatic drain valve