

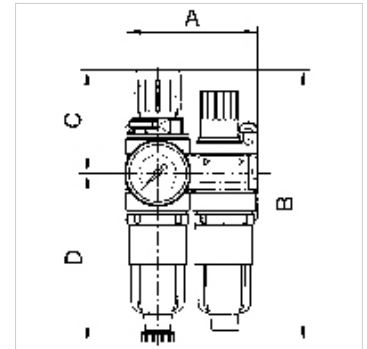
K-WTEH 3-TLG MET MANO T STANDARD-MI

Service units, 3-piece with metal bowl and pressure gauge, metal sight dome

HANSA FLEX

Karakteristike

Ulazni tlak	Max. 16 bar (polycarbonate bowl), Max. 25 bar (metal bowl)
Temperatura medija	max. 60 °C
Okolna temperatura	Max. 60 °C
Protok	350 l/min (2-piece), 300 l/min (3-piece)
Veličina pora u filteraskom elementu	5 µm
Brtveni materijal	NBR
Kućište	Die-cast zinc, painted silver
Nastavak za kapanje	PA (polycarbonate bowl), Zinc-glass-NBR (metal bowl)
Drain valve	Semi-automatic for variant with polycarbonate bowl, Manual for variant with metal bowl
Mjerenje vrijednosti protoka	At P1 = 8 bar, P2 = 6 bar and pressure drop $\Delta p = 1$ bar



Napomena

Drugi podatci na zahtjev.

Opis

Compact, two or three-piece service units consisting of a reversible diaphragm pressure regulator, independent of inlet pressure, with self-relieving design, combined with a centrifugal separator and a proportional lubricator.

Artikli

Naziv	Navoj	Regulacijsko područje	A (mm)	B	C (mm)	D (mm)	DN
K- 07 25 14 53	G 1/8	0.5 - 10 bar	130,0	143,0 mm	49,0	94,0	5
K- 07 25 14 55	G 1/4	0.5 - 10 bar	130,0	143,0 mm	49,0	94,0	5

Rezervni dijelovi

K-HALTERBAUSATZ	Holder
K-SCHALTTAFELMUTTER	Nut
K-ERSATZBEHAELTER MULTI MINI	Spare tank »multifix-mini« & »standard-mini«
K-PC-BEHAELTER FILTER MULTIFIX	Polycarbonate tank filter
K-VERSCHLEI-SATZ	Set of wearing parts
K-FILTERELEMENT	Filter element
K-AUTOMAT ABLASSVENTIL	Automatic drain valve
K-TROPFAUFSATZ POLYCARBO	Drip attachment polycarbonate
K-TROPFAUFSATZ METALL	Drip attachment metal
K-LOESBARE DOPPELNIPPEL MS	Double nipples
K-XV AGM MS NI	Double nipples, parallel male thread, nickel-plated brass