

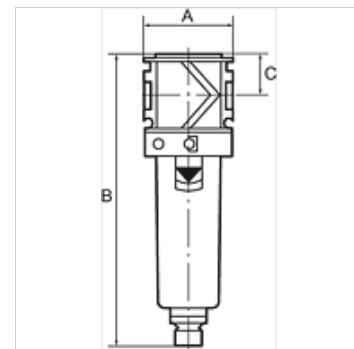
K-FI MIKRO PC-BEHAEALTER VARIOBLOC

Micro-filters with polycarbonate bowl

HANSA FLEX

Karakteristike

Ulazni tlak	Max. 16 bar (polycarbonate bowl), Max. 20 bar (metal bowl)
Temperatura medija	max. 50 °C
Okolna temperatura	Max. 50 °C (polycarbonate bowl), Max. 80 °C (metal bowl)
Finoća filtra	0,01 µm
Kvaliteta zraka ISO 85731	Class 1 dirt, class 1 oil
Učinkovitost	99.999 %
Mjerenje vrijednosti protoka	At P1 = 7 bar and pressure drop $\Delta p = 0,1$ bar



Napomena

Drugi podatci na zahtjev.

Opis

Borosilicate filter for all applications where compliance with strict compressed air purity requirements is vital. As the second stage downstream of the standard filter, the micro-filter removes 99.999 % of even the finest remaining particles from water, oil and dirt with practically zero residues (filter rating: 0.01 µm).

Napomene uz narudžbu

Micro-filters are also available with bowl guard or metal bowl.

Artikli

Naziv	Navoj	Protok (L/min)	A (mm)	B	C (mm)
K- 07 25 10 89	G 1/4	370	48,0	155,0 mm	22,0
K- 07 25 10 91	G 3/8	420	48,0	155,0 mm	22,0
K- 07 25 10 93	G 1/2	1000	70,0	202,0 mm	26,0
K- 07 25 10 95	G 3/4	1100	70,0	202,0 mm	26,0
K- 07 25 10 97	G 1	1100	124,0	202,0 mm	26,0

Rezervni dijelovi

K-ERSATZBEHAELTER VARIOBLOC POLY	Spare tank Polycarbonat
K-FILTERELEMENT VARIOBLOC	Filter element
K-ABLASSVENTIL AUTO	Fully-automatic drain valve with Adapter G 1/8