

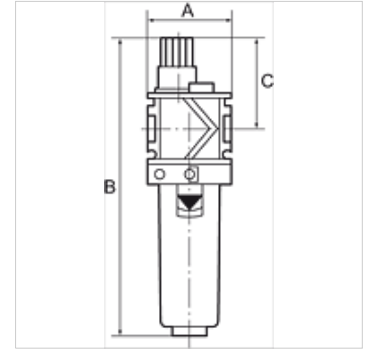
K-NEBELOELER METALLBEHAE S T VARIOB

Oil-mist lubricators with metal bowl, incl. sight glass and metal sight dome

HANSA FLEX

Karakteristike

Ulazni tlak	Max. 16 bar (polycarbonate bowl), Max. 20 bar (metal bowl)
Temperatura medija	max. 50 °C
Okolna temperatura	Max. 50 °C (polycarbonate bowl), Max. 80 °C (metal bowl)
Brtveni materijal	NBR
Kućište	Die-cast zinc
Nastavak za kapanje	PA
Vrsta ulja	CL 32 acc. to DIN 51517 - ISO VG 32
Mjerenje vrijednosti protoka	At P1 = 6 bar and pressure drop $\Delta p = 1$ bar



Napomena

Drugi podatci na zahtjev.

Opis

Proportional lubricators, oil can be filled under pressure. Approved series in modern industrial design, with the following key benefits: Simple handling, Convenient modular assembly thanks to innovative fasteners, Excellent flow values.

Napomene uz narudžbu

Oil-mist lubricators are also available with bowl guard or metal bowl.

Artikli

Naziv	Navoj	Protok (L/min)	A (mm)	B	C (mm)
K- 07 25 09 14	G 1/4	3400	48,0	180,0 mm	60,0
K- 07 25 09 16	G 3/8	4400	48,0	180,0 mm	60,0
K- 07 25 09 18	G 1/2	4600	70,0	224,0 mm	65,0
K- 07 25 09 20	G 3/4	7500	70,0	224,0 mm	65,0
K- 07 25 09 22	G 1	7500	124,0	224,0 mm	65,0

Rezervni dijelovi

K-ERSATZBEHAELTER VARIOBLOC POLY	Spare tank Polycarbonat
K-TROPFAUFSATZ VARIOBLOC	Drip attachment
K-TROPFAUFSATZ METALL	Drip attachment metal