

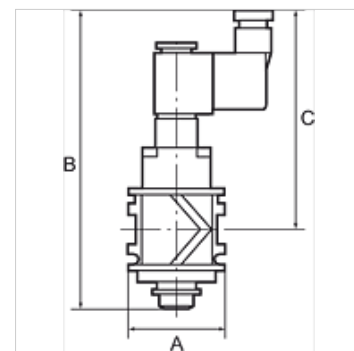
K-SCHALTVENTILE 3/2 VAROBLOC

On-off valves (3/2-way valves)

HANSA FLEX

Karakteristike

Vrsta zaštite	IP 65 acc. to DIN 40050
Radni tlak	3 to 10 bar
Mjerenje vrijednosti protoka	At P1 = 6 bar and pressure drop $\Delta p = 1$ bar



Napomena

Drugi podatci na zahtjev.

Opis

For pressurising and relieving pneumatic systems. Ideal as the main "on" valve for service units. The pressure in the line is exhausted when the valve is switched off.

Artikli

Naziv	Navoj	Protok (L/min)	A (mm)	Priključak	B	C (mm)	Napon
K- 07 25 11 94	G 1/4	2200	48,0	Device plug PG 9, type B, EN 175301-803	147,0 mm	108,0	24 V DC
K- 07 25 11 95	G 3/8	2600	48,0	Device plug PG 9, type B, EN 175301-803	147,0 mm	108,0	24 V DC
K- 07 25 11 96	G 1/2	3300	70,0	Device plug PG 9, type B, EN 175301-803	157,0 mm	113,0	24 V DC
K- 07 25 11 97	G 3/4	3800	70,0	Device plug PG 9, type B, EN 175301-803	157,0 mm	113,0	24 V DC
K- 07 25 11 98	G 1	3800	124,0	Device plug PG 9, type B, EN 175301-803	157,0 mm	113,0	24 V DC

Rezervni dijelovi

K-MAGNETSPULE VARIOBLOC	Solenoid
K-GERAETESTECKER	Coupling socket