

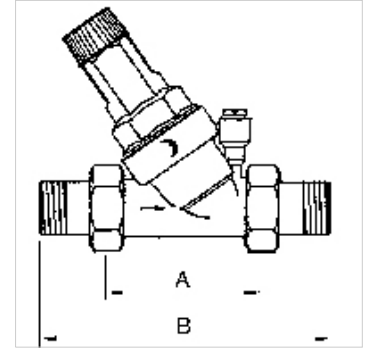
# K-DRG SAXONIA M MANO

Pressure regulators

**HANSA FLEX**

## Karakteristike

Ulazni tlak	Max. 16 bar
Mediji	Drinking water
Radna temperatura	Max. 30 °C
Brtnveni materijal	NBR
Pokrov s oprugom	Plastic
Kućište	Brass
Kućište sīta	Plastic, with control dial for back pressure
Drugi podatci	DVGW Zertifikat



## Napomena

Drugi podatci na zahtjev.

## Opis

Diaphragm pressure regulators with pressure-reduced single-seated valve and built-in strainer. These pressure regulators, which are independent of inlet pressure, protect domestic water installations against excessive supply pressure. They can also be used for commercial or industrial purposes providing their specification is adequate.

## Artikl

Naziv	Navoj	DN	Regulacijsko područje	Protok, kvs-vrijednost (m <sup>3</sup> /h)	A (mm)	B
K- 07 25 04 72	R 3/4	20	1.5 - 6 bar	3,4	90,0	158,0 mm
K- 07 25 04 73	R 1	25	1.5 - 6 bar	5,3	100,0	184,0 mm
K- 07 25 04 74	R 1 1/4	32	1.5 - 6 bar	8,6	130,0	228,0 mm

## Rezervni dijelovi

K-VENTILAUSTAUSCHSATZ	Valve replacement kit
K-ERSATZSIEBE	Replacement strainer
K-RMM U STAHL	Standard pressure gauges (sheet steel housing / connection radial on bottom)