

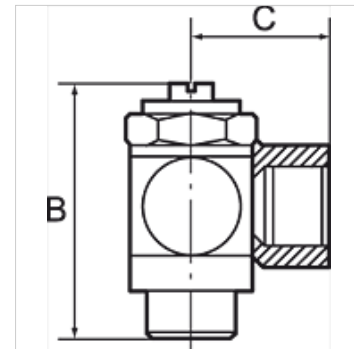
K-DRV ABLD SCHNVERSCHR C SCHLITZ

Unidirectional flow control valves, outgoing air restriction (»C«), quick-lock screw fitting

HANSA FLEX

Karakteristike

| | |
|---|------------------------------------|
| Radni tlak | maks. 10 bar |
| Temperaturno područje | 0 °C to +70 °C |
| Šuplji vijak, zakretni krak, vijak za reguliranje | Nickel-plated brass |
| Unutarnji dijelovi | Brass with a bare metal surface |
| Brtvena usna O-prsten | NBR |
| Brtve (sa zaštitom od ispadanja) | Polyamide (glass fibre-reinforced) |



Napomena

Drugi podatci na zahtjev.

Opis

For fine regulation of a cylinder piston speed and precise control of flow rates. Designed as a banjo-type valve with a hollow bolt and ring piece. Can be screwed directly onto the valve or cylinder. Compact type of construction, also ideal where space is restricted.

Artikli

| Naziv | C (mm) | za crijevo | Navoj | SW (veličina ključa) | B (mm) |
|----------------|--------|---------------|-------|----------------------|--------|
| K- 07 15 05 37 | 18,0 | 4 mm / 2,5 mm | M 5 | 8 mm | 24,5 |
| K- 07 15 05 38 | 19,0 | 5 mm / 3 mm | M 5 | 8 mm | 24,5 |
| K- 07 15 05 39 | 19,0 | 6 mm / 4 mm | M 5 | 8 mm | 24,5 |
| K- 07 15 05 46 | 23,0 | 5 mm / 3 mm | G 1/8 | 14 mm | 32,0 |
| K- 07 15 05 47 | 25,0 | 6 mm / 4 mm | G 1/8 | 14 mm | 32,0 |
| K- 07 15 05 48 | 25,0 | 8 mm / 6 mm | G 1/8 | 14 mm | 32,0 |
| K- 07 15 05 43 | 26,5 | 6 mm / 4 mm | G 1/4 | 17 mm | 40,0 |
| K- 07 15 05 44 | 27,5 | 8 mm / 6 mm | G 1/4 | 17 mm | 40,0 |
| K- 07 15 05 42 | 28,5 | 10 mm / 8 mm | G 1/4 | 17 mm | 40,0 |
| K- 07 15 05 49 | 30,5 | 10 mm / 8 mm | G 3/8 | 20 mm | 50,0 |