

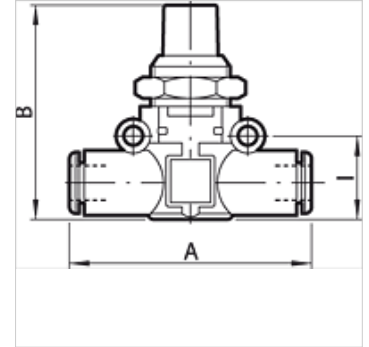
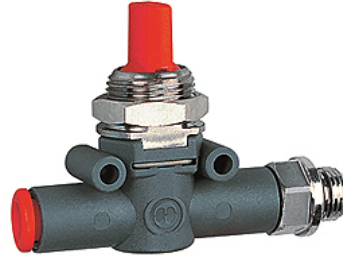
K-ABSPV SCHL GEW

Shut-off valves, pipe (input) - thread (output)

HANSA FLEX

Karakteristike

Radni tlak	maks. 10 bar
Protok 6,3bar, p=1bar	280 NI/min (Ø 6), 470 NI/min (Ø 8)
Temperaturno područje	-20 °C to +60 °C
Tijelo	Technopolymer
Unutarnji dijelovi	nickel-plated brass, brass, technopolymer, stainless steel
Brtnveni materijal	NBR
Montaža	Wall mounting (housing with drilled holes) Bracket mounting (mounting bracket available) Panel mounting (with bracket or lock nut)
Simbol	on the housing



Napomena

Drugi podatci na zahtjev.

Opis

A carefully selected assortment of products for installation in pneumatic circuits. These small, highly efficient components allow all pneumatic functions to be implemented anywhere in the circuit. The series has an ultramodular design. All components can be installed in parallel, in series, in a mixed parallel / serial configuration. Available as Pipe / pipe connection with two plug connectors Thread / pipe connection, with one plug connector and one nickel-plated brass thread.

Artikli

Naziv	Navoj	za promjer crijeva (mm)	A (mm)	B (mm)	l (mm)
K- 07 15 04 51	G 1/8	6	58,3	41,0	14,6
K- 07 15 04 52	G 1/8	8	66,4	46,0	18,7
K- 07 15 04 49	G 1/4	6	61,3	41,0	14,6
K- 07 15 04 50	G 1/4	8	70,8	46,0	18,7
K- 07 15 04 53	G 3/8	8	72,4	46,0	18,7