

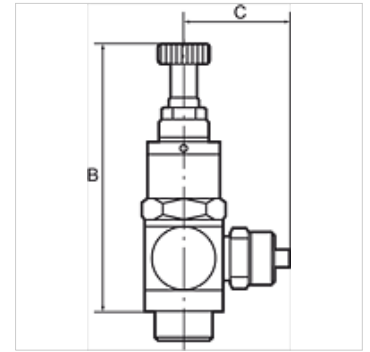
K-KDR STECK

Mini pressure regulators, discharge port on thread, plug-in connector

HANSA FLEX

Karakteristike

Regulacijsko područje	0 - 8 bar
Ulazni tlak	Max. 10 bar
Temperaturno područje	0 °C to +70 °C
Šuplji vijak, zakretni krak, vijak za reguliranje	Nickel-plated brass
Unutarnji dijelovi	Brass with a bare metal surface
Brtvena usna O-prsten	NBR
Brtve (sa zaštitom od ispadanja)	Polyamide (glass fibre-reinforced)



Napomena

Drugi podatci na zahtjev.

Opis

Piston pressure regulator with self-relieving design, hollow bolt and pivoting ring piece. The regulator is screwed directly into the consumer (e.g. cylinder, handling equipment, etc.). The working pressure can thus be adapted to the specific application.

Artikli

Naziv	C (mm)	za crijevo	Navoj	SW (veličina ključa)	B (mm)
K- 07 25 08 40	19,5	4 mm	G 1/8	15 mm	56,0
K- 07 25 08 41	22,0	6 mm	G 1/8	15 mm	56,0
K- 07 25 08 42	22,5	8 mm	G 1/8	15 mm	56,0
K- 07 25 08 38	23,5	6 mm	G 1/4	17 mm	63,0
K- 07 25 08 39	24,0	8 mm	G 1/4	17 mm	63,0
K- 07 25 08 37	26,5	10 mm	G 1/4	17 mm	63,0