

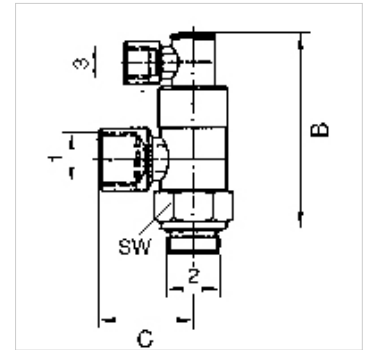
# K-STOPPVENTILE IG

Stop valves, ports 2 and 3 with female thread

**HANSA FLEX**

## Karakteristike

Radni tlak	Max. 10 bar
Upravljački tlak	1 - 5 bar, depending on operating pressure
Temperatura medija	max. 70 °C
Ugradbeni položaj	Any. Ring pieces can still be rotated 360° after the valve has been tightened
Materijal	poniklani mjed
Brtnveni materijal	Perbunan



## Napomena

Drugi podatci na zahtjev.

## Opis

For high-speed positioning and stop functions as well as emergency switching (e.g. emergency stop). If a control signal is present at port 3, air can flow to and from the cylinder. If no control signal is present, the air flow to and from the cylinder is shut off, causing the cylinder to stop in the required position. Stop valves are screwed directly onto the cylinder instead of the normal pipe connections.

## Artikl

Naziv	Port 1	Port 2	Priključak 3	B (mm)	C (mm)
K- 07 15 20 46	G 1/8	G 1/8	G 1/8	52,0	21,0
K- 07 15 20 45	G 1/4	G 1/4	G 1/8	58,0	25,0
K- 07 15 20 47	G 3/8	G 3/8	G 1/8	63,0	31,0
K- 07 15 20 44	G 1/2	G 1/2	G 1/8	72,0	40,0