

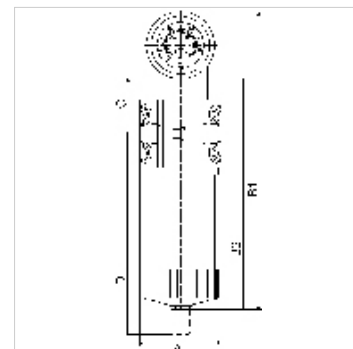
# K-FI AK KOH M DIFFERENZ MANO

Activated carbon filters with differential pressure gauge

**HANSA FLEX**

## Karakteristike

Ulazni tlak	Min. 4 bar, Max. 16 bar
Područje prikaza manometra diferencijalnog tlaka	0 - 2 bar
Kućiče, filtarski spremnik	Aluminium
Okolna temperatura	+5 °C to +60 °C
Filtarski uložak	Activated carbon
Sadržaj preostalog ulja	0.005 mg/m <sup>3</sup>
Mjerenje vrijednosti protoka	At P1 = 6 bar and pressure drop $\Delta p$ = 0.5%



## Napomena

Drugi podatci na zahtjev.

## Opis

Suitable for all applications where the standard centrifugal separators do not afford the desired efficiency. The pre-filters and micro-filters are equipped with an automatic drain valve. All devices can be supplied with or without a differential pressure gauge. The differential pressure gauge indicates the degree of contamination of the filter element as a function of the pressure drop.

## Artikli

Naziv	Navoj	Protok (L/min)	A (mm)	B1 (mm)	B2 (mm)	C (mm)	D (mm)
K- 07 25 13 18	G 1/4	500	82,5	318,5	245,0	57,0	263,0
K- 07 25 13 19	G 3/8	500	82,5	318,5	245,0	57,0	263,0
K- 07 25 13 20	G 1/2	500	82,5	318,5	245,0	57,0	263,0
K- 07 25 13 21	G 3/4	1000	82,5	388,5	315,0	57,0	403,0
K- 07 25 13 22	G 1	1500	118,0	403,5	330,0	72,0	368,0
K- 07 25 13 23	G 1 1/4	2650	118,0	503,5	430,0	72,0	568,0
K- 07 25 13 24	G 1 1/2	4150	118,0	603,5	530,0	72,0	768,0
K- 07 25 13 25	G 2	6650	118,0	793,5	720,0	72,0	1148,0

## Rezervni dijelovi

K-FILTERELEMENT SONDER	Filter element
K-VERBINDUNGSELEMENTE SOND	Connecting sets
K-HALTERBAUSATZ	Holder
K-DIFFERENZDRUCKMANOMETER	Differential pressure gauge
K-AUTOMAT ABLASSVENTIL	Automatic drain valve