

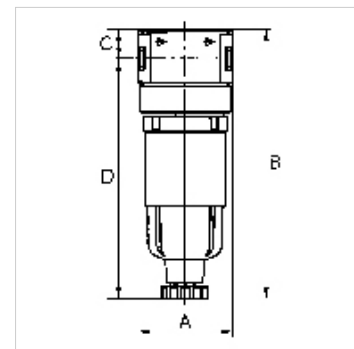
# K-FI MIKRO METALLBEHAEL MULTIFIX MI

Micro-filters with metal bowl

**HANSA FLEX**

## Karakteristike

|                              |  |
|------------------------------|--|
| Ulazni tlak                  | Max. 16 bar  |
| Temperatura medija           | max. 60 °C   |
| Okolna temperatura           | Max. 60 °C   |
| Finoća filtra                | 0,01 µm  |
| Učinkovitost                 | 99.999 %   |
| Brtnveni materijal           | NBR  |
| Filtarski uložak             | Borosilicate-POM   |
| Kućište                      | Die-cast zinc  |
| Drain valve                  | Semi-automatic   |
| Mjerenje vrijednosti protoka | FM at P1 = 6 bar and pressure drop $\Delta p = 0.09$ bar |



## Napomena

If several devices in the »multifix-mini« Series are assembled together, the maximum working pressure is 12 bar.

Drugi podatci na zahtjev.

## Opis

Micro-filters for compliance with strict compressed air purity requirements. Suitable for all applications where standard filters do not afford the desired efficiency.

## Artikli

| Naziv          | Navoj | Protok (L/min) | A (mm) | B        | C (mm) | D (mm) | DN |
|----------------|-------|----------------|--------|----------|--------|--------|----|
| K- 07 25 10 55 | G 1/8 | 230            | 40,0   | 111,6 mm | 12,3   | 99,3   | 5  |
| K- 07 25 10 57 | G 1/4 | 450            | 40,0   | 138,1 mm | 12,3   | 125,8  | 5  |

## Rezervni dijelovi

|                        |                       |
|------------------------|-----------------------|
| K-AUTOMAT ABLASSVENTIL | Automatic drain valve |
| K-KOPPELPAKET MEHR     | Coupling packet       |