

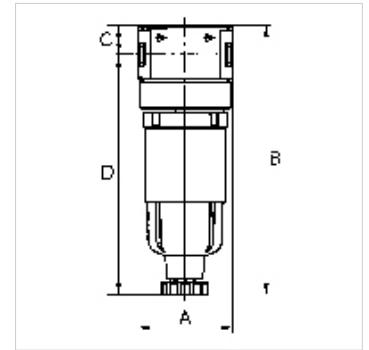
K-FI AK KOH PC-BEHAEL MULTIFIX MINI

Activated carbon filters with polycarbonate bowl

HANSA FLEX

Karakteristike

Ulazni tlak	Max. 16 bar
Temperatura medija	max. 60 °C
Okolna temperatura	Max. 60 °C
Brtveni materijal	NBR
Filtarski uložak	Activated carbon-POM
Kućište	Die-cast zinc
Drain valve	Semi-automatic
Sadržaj preostalog ulja	0.005 mg/m ³
Mjerenje vrijednosti protoka	FA at P1 = 6 bar and pressure drop $\Delta p = 0.2$ bar



Napomena

If several devices in the »multifix-mini« Series are assembled together, the maximum working pressure is 12 bar.

Drugi podatci na zahtjev.

Opis

Micro-filters for compliance with strict compressed air purity requirements. Suitable for all applications where standard filters do not afford the desired efficiency.

Artikli

Naziv	Navoj	Protok (L/min)	A (mm)	B	C (mm)	D (mm)	DN	Veličina
K- 07 25 10 45	G 1/8	310	40,0	107,8 mm	12,3	95,5	5	0
K- 07 25 10 47	G 1/4	380	40,0	122,8 mm	12,3	110,5	5	0

Rezervni dijelovi

K-AUTOMAT ABLASSVENTIL	Automatic drain valve
K-KOPPELPAKET MEHR	Coupling packet
K-ERSATZBEHAELTER MULTI MINI	Spare tank »multifix-mini« & »standard-mini«