

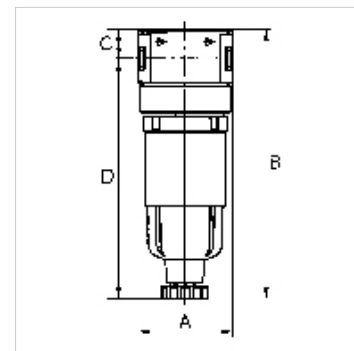
# K-FI AK KOH METALLBEHAE MULTIFIX MI

Activated carbon filters with metal bowl

**HANSA FLEX**

## Karakteristike

Ulazni tlak	Max. 16 bar
Temperatura medija	max. 60 °C
Okolna temperatura	Max. 60 °C
Brtnveni materijal	NBR
Filtarski uložak	Activated carbon-POM
Kućište	Die-cast zinc
Drain valve	Semi-automatic
Sadržaj preostalog ulja	0.005 mg/m3
Mjerenje vrijednosti protoka	FA at P1 = 6 bar and pressure drop $\Delta p = 0.2$ bar



## Napomena

If several devices in the »multifix-mini« Series are assembled together, the maximum working pressure is 12 bar.

Drugi podatci na zahtjev.

## Opis

Micro-filters for compliance with strict compressed air purity requirements. Suitable for all applications where standard filters do not afford the desired efficiency.

## Artiki

Naziv	Navoj	Protok (L/min)	A (mm)	B	C (mm)	D (mm)	DN	Veličina
K- 07 25 10 46	G 1/8	310	40,0	97,3 mm	12,3	85,0	5	0

## Rezervni dijelovi

K-AUTOMAT ABLASSVENTIL	Automatic drain valve
K-KOPPELPAKET MEHR	Coupling packet
K-ERSATZBEHAELTER MULTI MINI	Spare tank »multifix-mini« & »standard-mini«