

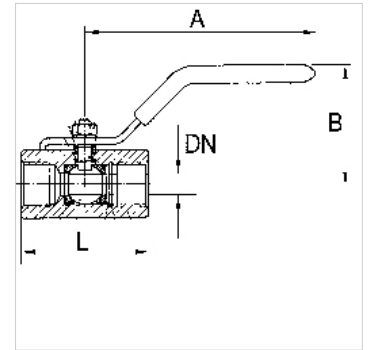
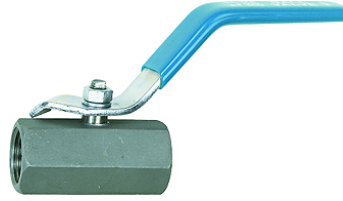
# K-BKR KL SERIE 374

Ball valves, 374 series

**HANSA FLEX**

## Karakteristike

Radni tlak	max. 70 bar (Depending on Temperature)
Radna temperatura	Max. 150 °C
Brtva	PTFE
Ručka	Stainless steel 1.4301



## Napomena

G thread acc. to DIN EN ISO 228-1, with ISO flange plate (acc. to ISO 5211)

Drugi podatci na zahtjev.

## Napomene uz narudžbu

For use on devices that have to be vented whenever they are turned off, either because of safety regulations or for technical reasons. The pneumatic devices are disconnected from the system and simultaneously vented each time they are shut off.

## Dodatne informacije

G thread acc. DIN EN ISO 228-1

## Artikli

Naziv	DN	Navoj	A (mm)	B (mm)	L (mm)	Materijal
K- 07 30 15 32	5	G 1/4	62,0	30,0	47,0	Stainless steel 1.4401/1.4408
K- 07 30 15 33	7	G 3/8	82,0	30,0	51,0	Stainless steel 1.4401/1.4408
K- 07 30 15 34	9	G 1/2	92,0	45,0	64,0	Stainless steel 1.4401/1.4408
K- 07 30 15 35	13	G 3/4	94,0	50,0	68,0	Stainless steel 1.4401/1.4408