

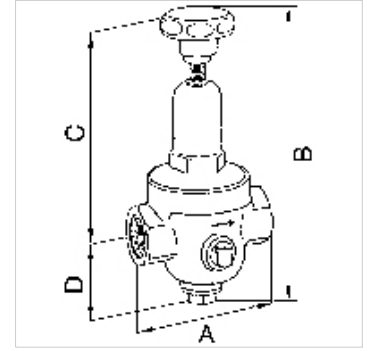
# K-DRG DRV 225 HOCHDRUCK

## DRV 225 pressure regulators, high-pressure type

**HANSA FLEX**

### Karakteristike

Ulazni tlak	Max. 25 bar (Series 200 and 300 Series), Max. 40 bar (400 Series)
Temperaturno područje	Max. 75 °C
Redukcijski omjer	Max. 10:1 (200 Series), Max. 20:1 (300 Series), Max. 6:1 (400 Series)
Brtveni materijal	NBR
Pokrov s oprugom	Pressed brass up to DN 25, Grey cast iron from DN 32
Kućiče	Red brass 2.1096.01



### Napomena

Drugi podatci na zahtjev.

### Opis

Diaphragm pressure regulators with non-self-relieving design and non-pressure-reduced single-seated valve. Very precise adjustment. Good response characteristic because of only a few moving parts which hence minimal friction. Ideal for compressed air, nitrogen and other neutral, non-flammable gases, but only suitable for liquids with comparatively low flow rates.

### Napomene uz narudžbu

Ostale izvedbe na zahtjev

### Dodatne informacije

Druge izvedbe na zahtjev

### Artikli

Naziv	Navoj	Regulacijsko područje	Protok, kvs-vrijednost (m <sup>3</sup> /h)	A (mm)	B	C (mm)	D (mm)
K- 07 25 04 97	G 1/4	1.5 - 20 bar	0,5	70,0	188,0 mm	141,0	47,0
K- 07 25 04 98	G 3/8	1.5 - 20 bar	0,6	70,0	188,0 mm	141,0	47,0
K- 07 25 04 99	G 1/2	1.5 - 20 bar	1,2	85,0	228,5 mm	182,0	46,5
K- 07 25 05 00	G 3/4	1.5 - 20 bar	1,3	85,0	228,5 mm	182,0	46,5
K- 07 25 05 01	G 1	1.5 - 20 bar	1,6	95,0	257,0 mm	201,0	56,0
K- 07 25 05 02	G 1 1/4	1.5 - 20 bar	4,2	104,0	385,0 mm	324,0	61,0
K- 07 25 05 03	G 1 1/2	1.5 - 20 bar	4,5	108,0	392,0 mm	331,0	61,0
K- 07 25 05 04	G 2	1.5 - 20 bar	7,2	146,5	419,0 mm	349,0	70,0

### Rezervni dijelovi

K-VERSCHLEI-SATZ Set of wearing parts