

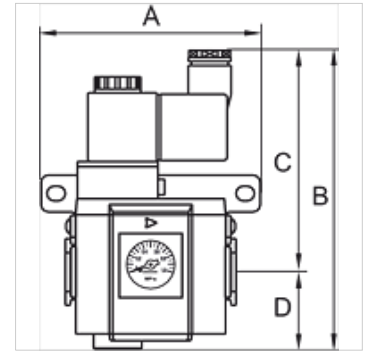
K-3/2 ANFAV 24 V DC HW G

Start-up valves, power supply 24 V DC, with »HW« mounting bracket and silencer

HANSA FLEX

Karakteristike

Ulazni tlak	2.5 - 9 bar
Temperatura medija	max. 70 °C
Okolna temperatura	Max. 70 °C
Električni priključak	Coupler plug PG 9 - form B
Brtveni materijal	NBR
Kućište	Die-cast aluminium
Mjerenje vrijednosti protoka	At P1 = 8 bar, P2 = 6 bar and pressure drop $\Delta p = 1$ bar
Drugi podatci	User manual on request



Artikli

Naziv	Navoj	Protok (L/min)	A (mm)	B	C (mm)	D (mm)	Veličina
K- 07 25 12 05	G 1/4	1600	65,0	131,0 mm	97,0	34,0	300
K- 07 25 12 07	G 3/8	2500	65,0	131,0 mm	97,0	34,0	300
K- 07 25 12 09	G 1/2	2500	65,0	131,0 mm	97,0	34,0	300
K- 07 25 12 11	G 3/8	4500	78,0	142,5 mm	102,0	40,5	400
K- 07 25 12 13	G 1/2	4500	78,0	142,5 mm	102,0	40,5	400

Pribor

K-VERBINDUNGSELEMENTE	Connecting sets
K-WANDHALTER	Wall bracket
K-HALTERBAUSATZ	Holder