

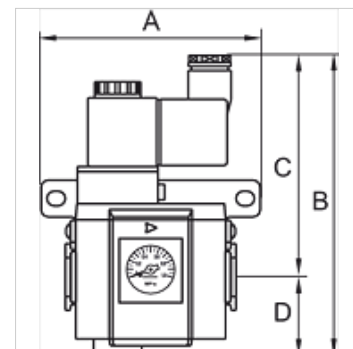
K-3/2 ANFAV230 VAC, 50 HZ HW G-MINI

Start-up valves, power supply 230 V AC, 50 Hz, with »HW« mounting bracket and silencer

HANSA FLEX

Karakteristike

Ulazni tlak	2.5 - 9 bar
Temperatura medija	max. 70 °C
Okolna temperatura	Max. 70 °C
Električni priključak	Coupler plug PG 9 - form B
Brtveni materijal	NBR
Kućište	Die-cast aluminium
Mjerenje vrijednosti protoka	At P1 = 8 bar, P2 = 6 bar and pressure drop $\Delta p = 1$ bar
Drugi podatci	User manual on request



Artikl

Naziv	Navoj	Protok (L/min)	A (mm)	B	C (mm)	D (mm)	Veličina
K- 07 25 12 25	G 1/8	550	59,0	123,5 mm	93,5	30,0	200
K- 07 25 12 27	G 1/4	550	59,0	123,5 mm	93,5	30,0	200

Pribor

K-VERBINDUNGSELEMENTE	Connecting sets
K-WANDHALTER	Wall bracket
K-HALTERBAUSATZ	Holder