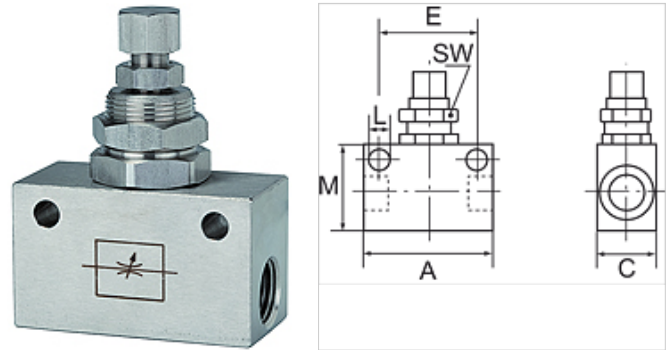


K-DV 2

Bidirectional flow control valves

Karakteristike

Radni tlak	maks. 10 bar
Radna temperatura	0 °C to +150 °C
Unutarnji dijelovi	Stainless steel 1.4404
Brtveni materijal	FKM
Kućište	Stainless steel 1.4404



Napomena

Drugi podatci na zahtjev.

Opis

Straight-way valves with restricted flow in both directions.

Artikli

Naziv	Navoj	A (mm)	C (mm)	E (mm)	L (mm)	M (mm)	SW (mm)
K- 07 30 12 47	G 1/8	34,0	15,0	24,0	4,5	20,0	14
K- 07 30 12 48	G 1/4	50,0	25,0	35,0	5,5	30,0	22