

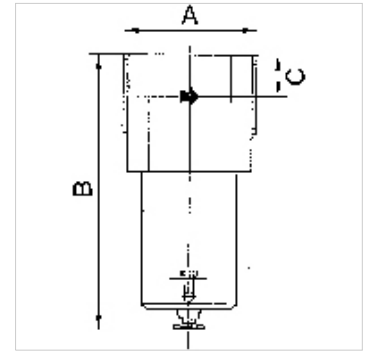
K-FI BIS 60BAR

Filters for high pressures up to 60 bar

HANSA FLEX

Karakteristike

Ulazni tlak	Max. 60 bar
Radna temperatura	0 °C to +90 °C
Veličina pora u filtarskom elementu	40 µm
Brtveni materijal	NBR
Spremnik	Brass
Kućište	Aluminium
Mjerenje vrijednosti protoka	At P2 = 6 bar and pressure dropl $\Delta p = 0,5$ bar



Napomena

Drugi podatci na zahtjev.

Opis

Centrifugal separators with a sintered filter element.

Artikli

Naziv	Navoj	Protok (L/min)	A (mm)	B	C (mm)
K- 07 25 06 17	G 3/8	2660	73,0	187,0 mm	25,0
K- 07 25 06 18	G 1/2	2660	65,0	187,0 mm	25,0
K- 07 25 06 19	G 3/4	6000	92,0	196,0 mm	29,0
K- 07 25 06 20	G 1	6000	80,0	196,0 mm	29,0

Pribor

K-HALTERBAUSATZ Holder

Rezervni dijelovi

K-FILTERELEMENT Filter element