

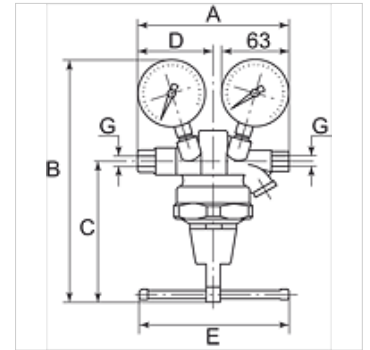
K-LEITUNGSDRUCKREGLER 200 BAR

Inline pressure regulators up to 200 bar

HANSA FLEX

Karakteristike

Radni tlak	max. 200 bar
Radna temperatura	-10 °C to +90 °C
Namještanje	Knob (50 bar), Rotary switch (100 and 150 bar)
Brtveni materijal	NBR
Materijal	Mjed



Napomena

Drugi podatci na zahtjev.

Opis

Inline pressure regulator input pressure, suitable for compressed air, nitrogen and other neutral, compressed gases.

Artikli

Naziv	Navoj	Regulacijsko područje	Protok (L/min)	A (mm)	B (mm)	C (mm)	D (mm)	E (mm)
K- 07 25 08 27	G 1/4 female	1 - 50 bar	2500	162,0	188,5 mm	100,0	76,0	50,0
K- 07 25 08 28	G 1/4 female	1 - 100 bar	2700	162,0	213,5 mm	125,0	76,0	130,0
K- 07 25 08 29	G 1/4 female	1 - 150 bar	2900	162,0	213,5 mm	125,0	76,0	130,0