

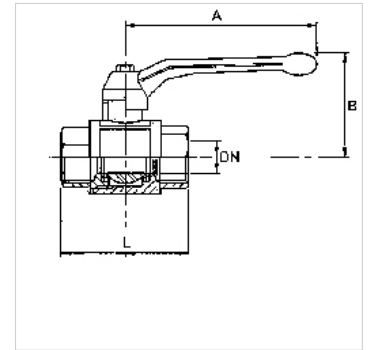
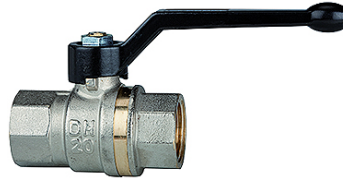
K-BKR LANG IG IG

Ball valves, long-threaded type, female/female thread

HANSA FLEX

Karakteristike

Područje primjene	Compressed air, water, non-toxic and non-corrosive gases, heating systems, agriculture
Radni tlak	Max. 40 bar
Radna temperatura	-15 °C to +90 °C
Opis navoja	Thread acc. to ISO 7-1
Kućište	Nickel-plated brass
Poluga	Aluminium, painted black
Kugla	Chrome-plated brass
Brtva kugle	PTFE
Brtva vretena	NBR / EPDM



Napomena

G thread acc. to DIN EN ISO 228-1, with ISO flange plate (acc. to ISO 5211)

Drugi podatci na zahtjev.

Napomene uz narudžbu

For use on devices that have to be vented whenever they are turned off, either because of safety regulations or for technical reasons. The pneumatic devices are disconnected from the system and simultaneously vented each time they are shut off.

Dodatne informacije

The pressure values refer to a maximum operating temperature of 40 °C. Lower maximum pressure apply at higher temperatures. See data sheet.

Artikli

Naziv	DN	Navoj	A (mm)	B (mm)	L (mm)
K- 07 30 21 45	8	Rp/Rp 1/4	85,0	42,0	49,0
K- 07 30 21 46	10	Rp/Rp 3/8	85,0	42,0	50,0
K- 07 30 21 47	15	Rp/Rp 1/2	85,0	46,0	61,0
K- 07 30 21 48	20	Rp/Rp 3/4	105,0	53,0	70,0
K- 07 30 21 49	25	Rp/Rp 1	105,0	57,0	84,0
K- 07 30 21 50	32	Rp/Rp 1 1/4	130,0	70,0	97,0
K- 07 30 21 51	40	Rp/Rp 1 1/2	130,0	76,0	108,0
K- 07 30 21 52	50	Rp/Rp 2	165,0	92,0	130,0