

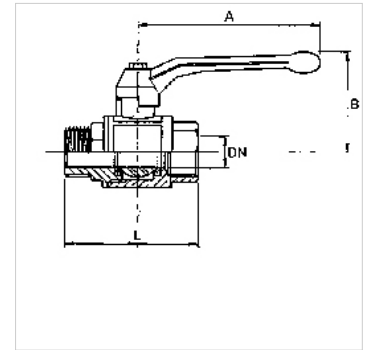
# K-BKR LANG IG AG

Ball valves, long-threaded type, female/male thread

**HANSA FLEX**

## Karakteristike

<b>Područje primjene</b>	Compressed air, water, non-toxic and non-corrosive gases, heating systems, agriculture
<b>Radni tlak</b>	Max. 40 bar
<b>Radna temperatura</b>	-15 °C to +90 °C
<b>Opis navoja</b>	Thread acc. to ISO 7-1
<b>Kućište</b>	Nickel-plated brass
<b>Poluga</b>	Aluminium, painted black
<b>Kugla</b>	Chrome-plated brass
<b>Brtva kugle</b>	PTFE
<b>Brtva vretena</b>	NBR / EPDM



## Napomena

G thread acc. to DIN EN ISO 228-1, with ISO flange plate (acc. to ISO 5211)

Drugi podatci na zahtjev.

## Napomene uz narudžbu

For use on devices that have to be vented whenever they are turned off, either because of safety regulations or for technical reasons. The pneumatic devices are disconnected from the system and simultaneously vented each time they are shut off.

## Dodatne informacije

The pressure values refer to a maximum operating temperature of 40 °C. Lower maximum pressure apply at higher temperatures. See data sheet.

## Artikli

Naziv	DN	Navoj	A (mm)	B (mm)	L (mm)
K- 07 30 21 37	8	Rp/R 1/4	85,0	42,0	52,0
K- 07 30 21 38	10	Rp/R 3/8	85,0	42,0	54,0
K- 07 30 21 39	15	Rp/R 1/2	85,0	46,0	67,0
K- 07 30 21 40	20	Rp/R 3/4	105,0	53,0	78,0
K- 07 30 21 41	25	Rp/R 1	105,0	57,0	89,0
K- 07 30 21 42	32	Rp/R 1 1/4	130,0	70,0	103,0
K- 07 30 21 43	40	Rp/R 1 1/2	130,0	76,0	113,0
K- 07 30 21 44	50	Rp/R 2	165,0	92,0	136,0