

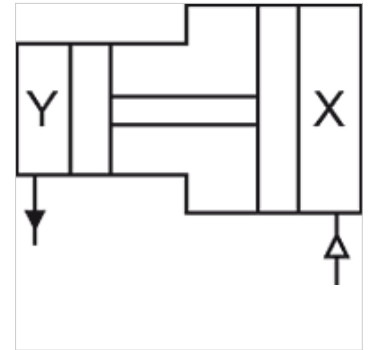
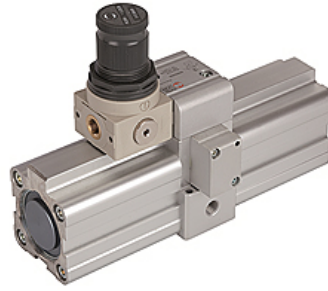
K-DVST MIT REGLER

Pressure booster with regulator

HANSA FLEX

Karakteristike

Ulazni tlak	2 - 10 bar
Izlazni tlak	Max. 20 bar (regulated: max. 16 bar)
Temperaturno područje	-10 °C to +50 °C (40 mm bore), -10 °C to +60 °C (63 mm bore)
Mediji	Filtered, unlubricated or lubricated compressed air (if lubrication is used, it must be continuous)
Brtveni materijal	NBR
Regulator tlaka	With plastic body
Kućíšte	Aluminium, anodised
Cijev	Anodised aluminium jacket
Montaža	Any position, with 4 mounting holes
P2:P1	1:1 to 1.6:1



Napomena

For information about calculating the filling times for different tank sizes, refer to the above-mentioned data sheet available on our website
Drugi podatci na zahtjev.

Opis

Pressure multipliers (boosters) allow a separate compressed air store with up to double pressure to be installed for selected devices in a compressed air system without an external energy source, i.e. it is possible to work with a maximum pressure of 20 bar in a standard 10 bar system (maximum ratio 2:1). This is achieved using a double piston, which is operated by a combination of integrated check valves in such a way that the booster works automatically until the target pressure is reached in a compressed air tank and is then automatically switched off. A tank is always required to build up the pressure and store the compressed air!

Dodatne informacije

Fixing bracket with nut

Artikli

Naziv	Priključak	Ø klipa (mm)	H (mm)	L (mm)
K- 07 25 08 65	G 1/8	40,0	139,0	194,0
K- 07 25 08 67	G 3/8	63,0	183,0	290,0

Pribor

K-ZUBEH ERSATZ LUFT BOOSTER Accessories / spare parts for Air-air-multiplier (booster)