

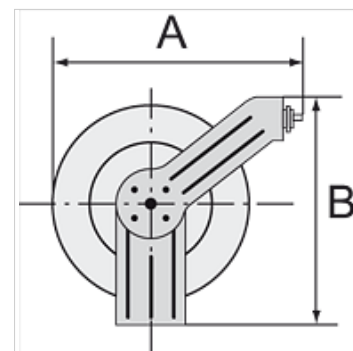
# K-SCHL-AUFROLLER SCHWEISS

Hose reel, welding type

**HANSA FLEX**

## Karakteristike

<b>Crijeva</b>	Welding hose for oxygen and acetylene, red and blue, made from synthetic rubber.
<b>Radni tlak</b>	maks. 10 bar
<b>Pričvršćenje</b>	Wall, floor or ceiling
<b>Ulaz</b>	Oxygen G 1/4 male, right-hand thread with 60° inside cone, Acetylene G 3/8 male, left-hand thread with 60° inside cone



## Napomena

Drugi podatci na zahtjev.

## Opis

Heavy-duty steel design for industrial applications. Blue, powder-coated housing. Special reel guide prevents excessive wear on the hose. An automatic latching mechanism allows the hose to be engaged at any length. Enclosed spring. Precise locking device for continuous feeding or latching mechanism.

## Artikli

Naziv	Dimenzije crijeva	Visina (mm)	Promjer (mm)	Duljina crijeva (m)
K- 07 10 06 28	Oxygen: 16.5 mm x 6 mm, Acetylene: 17 mm x 10 mm	360	320	15