

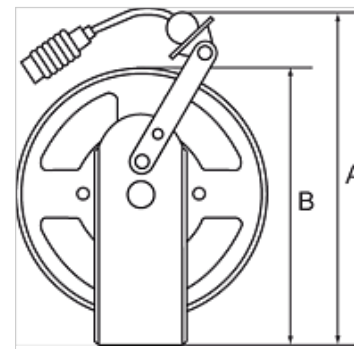
K-SCHL-AUFROLLER LU WA S

Hose reels for compressed air and water, heavy-duty type

HANSA FLEX

Karakteristike

Materijal crijeva	Polyurethane
Radni tlak	maks. 10 bar
Radna temperatura	-10 °C to +40 °C
Pričvršćenje	Wall, floor or ceiling
Ulaz	Hose stem 8 mm



Napomena

Drugi podatci na zahtjev.

Opis

Heavy-duty steel design for industrial applications. Blue, powder-coated housing. An automatic latching mechanism allows the hose to be engaged at any length. Enclosed spring. Precise locking device for continuous feeding or latching mechanism. Reel guide prevents excessive wear on the hose.

Artikl

Naziv	Dimenzije crijeva	A (mm)	B (mm)	Duljina crijeva (m)
K- 07 10 06 24	10 mm x 6,5 mm	420,0	353,0	10
K- 07 10 06 25	10 mm x 6,5 mm	420,0	353,0	20
K- 07 10 06 26	12 mm x 8 mm	420,0	353,0	15
K- 07 10 06 27	16 mm x 11 mm	420,0	353,0	15