

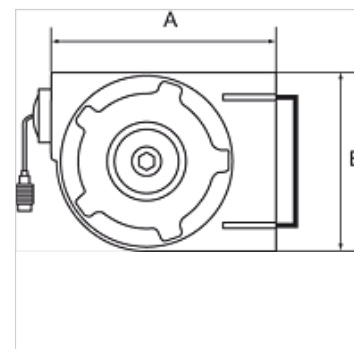
K-SCHL-AUFROLLER KOMPAKT

Hose reel, compact type

HANSA FLEX

Karakteristike

Materijal crijeva	Polyurethane
Radni tlak	maks. 10 bar
Radna temperatura	-10 °C to +40 °C
Zakretni kut	180°
Priključak	G 1/4
Ulaz	Hose stem 8 mm
Kućište	Rugged, impact-resistant polypropylene



Napomena

Drugi podatci na zahtjev.

Opis

A compact, lightweight hose reel for universal air applications whenever space is restricted.

Artikl

Naziv	Dimenzije crijeva	A (mm)	B (mm)	Duljina crijeva (m)
K- 07 10 06 15	12 mm x 8 mm	340,0	245,0	7