

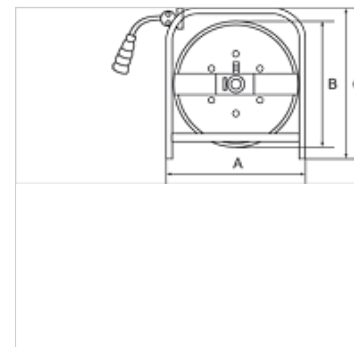
K-SCHL-AUFROLLER MOBIL

Hose reels for mobile applications

HANSA FLEX

Karakteristike

Materijal crijeva	Polyurethane
Radni tlak	maks. 10 bar
Radna temperatura	-10 °C to +40 °C
Ulaz	Hose stem 8 mm
Navoj priključka	Coupling G 3/8



Napomena

Drugi podatci na zahtjev.

Opis

Specially designed for mobile applications. This 50 m long polyurethane hose is mounted in a portable four-wheel cart made from blue anodised steel. An automatic latching mechanism allows the hose to be engaged at any length. Enclosed spring. Precise locking device for continuous feeding or latching mechanism. Reel guide prevents excessive wear on the hose.

Artikl

Naziv	Dimenzije crijeva	A (mm)	B (mm)	C (mm)	Duljina crijeva (m)
K- 07 10 06 16	12 mm x 8 mm	452,0	400,0	460,0	50