

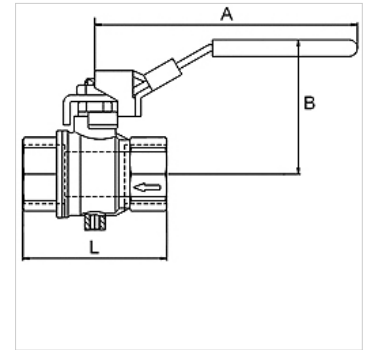
K-S-BKR M ENTL-BOHR ABSCHL

Safety ball valves, lockable, with relief port

HANSA FLEX

Karakteristike

Radna temperatura	-10 °C to + 100 °C (depending on operating pressure)
Odzračni provrt	M 5 (>1": Relief port G 1/4")
Opis navoja	Rp thread acc. to EN 10226
Kućište	Nickel-plated brass
Ručka	Steel - PVC coated
Kugla	hardchrome-plated brass
Brtva kugle	PTFE
Brtva vretena	PTFE



Napomena

G thread acc. to DIN EN ISO 228-1, with ISO flange plate (acc. to ISO 5211)

Drugi podatci na zahtjev.

Opis

2/2-way safety ball valves, two parts, made of nickel-plated brass. Specially designed for pneumatic applications. The valve shuts off the supply line and bleeds the application area. Lockable hand lever in closed position.

Dodatne informacije

The price does not include a padlock. Please order separately.

Artikli

Naziv	DN	Navoj	PN (bar)	A (mm)	B (mm)	L (mm)
K- 07 30 29 29	8	Rp 1/4	14	96,0	49,0	45,0
K- 07 30 29 30	10	Rp 3/8	14	96,0	49,0	45,0
K- 07 30 29 31	15	Rp 1/2	14	96,0	51,0	59,0
K- 07 30 29 32	20	Rp 3/4	14	117,0	60,0	64,0
K- 07 30 29 33	25	Rp 1	14	117,0	64,0	81,0
K- 07 30 29 34	32	Rp 1 1/4	14	157,0	80,0	93,0
K- 07 30 29 35	40	Rp 1 1/2	14	157,0	86,0	102,0
K- 07 30 29 36	50	Rp 2	14	157,0	93,0	121,0

Pribor

K-VORHAENGESCHLOSS Padlock