

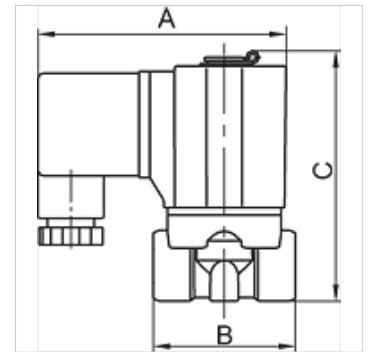
K-MV G (NC) D 230 V, 50 HZ STA 1

Normally closed, (NC), directly operated, 230 V, 50 Hz, standard type

HANSA FLEX

Karakteristike

Električni priključak	device socket type A in acc. with ISO 4400 for all valves with threads G 3/8 & G 1/2, except valves type 3 & 4. Device socket
Opis navoja	G thread acc. DIN EN ISO 228-1
Temperatura medija	max. 80 °C when using water or oils; max. 90 °C when using with air
Vrsta zaštite	IP 65
maks. radni tlak	10 bar
Brtveni materijal	FKM
Kučište, dosjed ventila	Stainless steel 1.4301
Unutarnji dijelovi	Stainless steel
Materijal	sealing: FKM (FPM)



Napomena

Drugi podatci na zahtjev.

Opis

Standard series in two different versions: Directly operated, Pilot-operated

Artikli

Naziv	Navoj	Nazivni promjer	A (mm)	B (mm)	C (mm)	Oblik izrade
K- 07 30 01 12	G 1/8	3,0	70,0	40,0	70,7	1
K- 07 30 01 13	G 1/4	3,0	70,0	40,0	70,7	1
K- 07 30 01 14	G 3/8	5,0	85,0	52,0	87,0	1
K- 07 30 01 15	G 1/2	5,0	85,0	52,0	87,0	1