

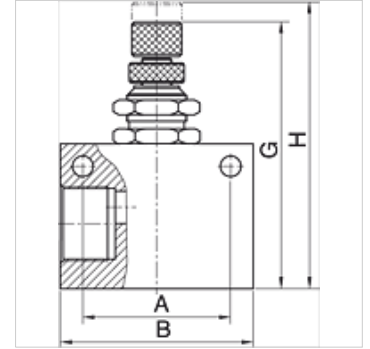
K-DRV 1

Unidirectional flow control valves

HANSA FLEX

Karakteristike

Radni tlak	maks. 10 bar
Radna temperatura	Max. 70 °C
Brtneni materijal	NBR
Kućište	Aluminium
Unutarnji dijelovi	Aluminium/Brass



Napomena

Drugi podatci na zahtjev.

Artikli

Naziv	Navoj	A (mm)	B (mm)	G (mm)	H (mm)
K- 07 30 12 32	G 1/8	22,0	32,0	46,90	52,3
K- 07 30 12 33	G 1/4	26,0	36,0	50,80	56,3
K- 07 30 12 34	G 3/8	35,0	50,0	65,00	74,0
K- 07 30 12 35	G 1/2	35,0	50,0	65,00	74,0