

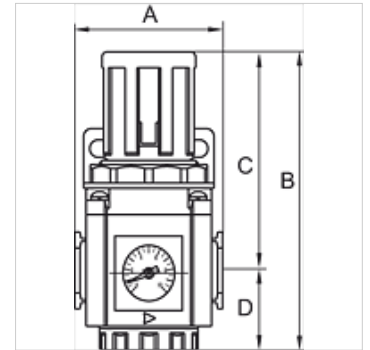
K-DRG MANO HALTEWINKEL G-MINI

3/2-way shut-off valve

HANSA FLEX

Karakteristike

Ulazni tlak	Max. 10 bar
Temperatura medija	max. 70 °C
Okolna temperatura	Max. 70 °C
Brtnveni materijal	NBR
Pokrov s oprugom	POM
Kućište	Die-cast aluminium
Mjerenje vrijednosti protoka	At P1 = 8 bar, P2 = 6 bar and pressure drop $\Delta p = 1$ bar
Drugi podatci	User manual on request



Artikl

Naziv	Navoj	Regulacijsko područje	Protok (L/min)	A (mm)	B	C (mm)	D (mm)	Veličina
K- 07 25 05 19	G 1/8	0.5 - 9 bar	1200	38,0	89,0 mm	63,5	25,5	200
K- 07 25 05 20	G 1/4	0.5 - 9 bar	1200	38,0	89,0 mm	63,5	25,5	200

Pribor

K-VERSCHLEI-SATZ	Set of wearing parts
K-ERSATZMEMBRANE	Replacement diaphragm
K-ADAPTERPLATTEN HANSA	Adapter plate HANSA
K-HALTERBAUSATZ	Holder
K-VERBINDUNGELEMENTE	Connecting sets
K-WANDHALTER	Wall bracket