

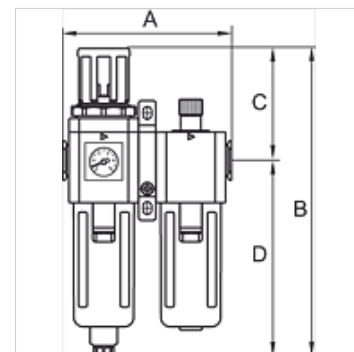
K-WTEH 2-TLG MET SICH WAND V G

Service units, 2-piece with metal bowl, sight glass and joiner for wall mounting, fully-automatic drain valve

HANSA FLEX

Karakteristike

Ulazni tlak	Max. 10 bar
Temperatura medija	max. 70 °C
Okolna temperatura	Max. 70 °C
Veličina pora u filterarskom elementu	5 µm
Brtveni materijal	NBR
Pokrov s oprugom	POM
Kućiče	Die-cast aluminium
Nastavak za kapanje	Brass/POM
Drain valve	Semi- or fully-automatic
Mjerenje vrijednosti protoka	At P1 = 8 bar, P2 = 6 bar and pressure drop $\Delta p = 1$ bar
Drugi podatci	User manual on request



Artikli

Naziv	Navoj	Regulacijsko područje	Protok (L/min)	A (mm)	B	C (mm)	D (mm)	Veličina
K- 07 25 14 06	G 3/4	1.5 - 9 bar	4200	190,0	363,0 mm	144,0	219,0	600
K- 07 25 14 08	G 1	1.5 - 9 bar	4200	190,0	363,0 mm	144,0	219,0	600

Pribor

K-VERSCHLEI-SATZ	Set of wearing parts
K-ERSATZMEMBRANE	Replacement diaphragm
K-ADAPTERPLATTEN HANSA	Adapter plate HANSA
K-FILTERELEMENT	Filter element
K-ERSATZBEHAELTER G UND G-MINI POLY	Spare tanks »G« Series and »G-minik« Series Polycarbonat
K-VERBINDUNGELEMENTE	Connecting sets
K-WANDHALTER	Wall bracket