

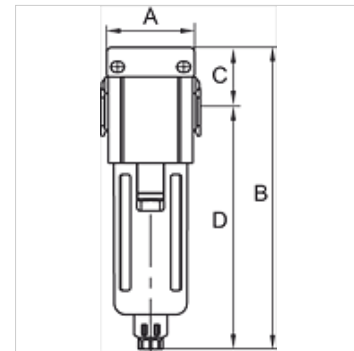
K-FI METALLBEHAEL SICHT V G

Filters with metal bowl, sight glass and »HW« mounting bracket, fully-automatic drain valve

HANSA FLEX

Karakteristike

Ulazni tlak	Max. 10 bar
Temperatura medija	max. 70 °C
Okolna temperatura	Max. 70 °C
Radni tlak	1.5 - 9 bar
Veličina pora u filterskom elementu	5 µm
Brtnveni materijal	NBR
Kućište	Die-cast aluminium
Drain valve	Semi- or fully-automatic
Mjerenje vrijednosti protoka	At P1 = 8 bar, P2 = 6 bar and pressure drop $\Delta p = 1$ bar
Drugi podatci	User manual on request



Artikli

Naziv	Navoj	Protok (L/min)	A (mm)	B	C (mm)	D (mm)	Veličina
K- 07 25 06 46	G 3/4	7800	85,0	256,0 mm	37,0	219,0	3
K- 07 25 06 48	G 1	7800	85,0	256,0 mm	37,0	219,0	3

Pribor

K-ERSATZBEHAELTER G UND G-MINI POLY	Spare tanks »G« Series and »G-mini« Series Polycarbonat
K-SCHUTZKORB G	Protective cage
K-FILTERELEMENT	Filter element
K-HALTERBAUSATZ	Holder
K-VERBINDUNGSELEMENTE	Connecting sets
K-WANDHALTER	Wall bracket