

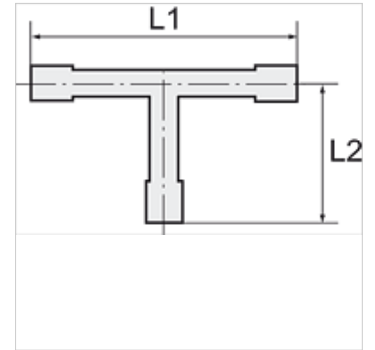
# K-T-RED STUTZEN 3 POM

Reducing T push-on connectors, POM

**HANSA FLEX**

## Karakteristike

Temperaturno područje -40 °C to +90 °C



## Napomena

Drugi podatci na zahtjev.

## Opis

Lightweight tube connectors distinguished by high strength, toughness, resistance to abrasion and impact resistance. Resistant to: Acetone, benzene, benzene, butane, alcohols, diesel fuels, crude oil, natural gas, ethanol, fruit juices, glycerine, fuel oil, hydraulic fluids, aliphatic ketones, carbon dioxide, carbonic acid, engine oils, methanol, propane, liquefied gas, lubricating oils, lubricating greases, town gas, washing liquor and water.

## Artikli

| Naziv          | za crijevo               | L1<br>(mm) | L2<br>(mm) | maks. dopušteni pretlak<br>(bar) |
|----------------|--------------------------|------------|------------|----------------------------------|
| K- 07 40 46 59 | LW 3 mm / 4 mm / 3 mm    | 25,0       | 17,5       | 10                               |
| K- 07 40 46 60 | LW 4 mm / 6 mm / 4 mm    | 37,0       | 24,0       | 10                               |
| K- 07 40 46 61 | LW 6 mm / 4 mm / 6 mm    | 49,0       | 20,5       | 10                               |
| K- 07 40 46 62 | LW 8 mm / 4 mm / 8 mm    | 56,0       | 22,0       | 10                               |
| K- 07 40 46 63 | LW 8 mm / 6 mm / 8 mm    | 56,0       | 28,0       | 10                               |
| K- 07 40 46 64 | LW 10 mm / 6 mm / 10 mm  | 62,0       | 28,0       | 10                               |
| K- 07 40 46 65 | LW 10 mm / 8 mm / 10 mm  | 62,0       | 31,0       | 10                               |
| K- 07 40 46 66 | LW 12 mm / 6 mm / 12 mm  | 69,0       | 29,0       | 10                               |
| K- 07 40 46 67 | LW 12 mm / 8 mm / 12 mm  | 69,0       | 31,0       | 10                               |
| K- 07 40 46 68 | LW 12 mm / 10 mm / 12 mm | 69,0       | 33,0       | 10                               |
| K- 07 40 46 69 | LW 18 mm / 10 mm / 18 mm | 79,0       | 36,0       | 10                               |
| K- 07 40 46 70 | LW 18 mm / 15 mm / 18 mm | 80,0       | 44,0       | 10                               |