

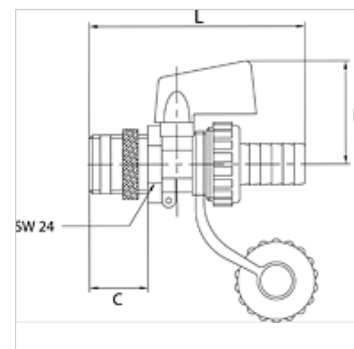
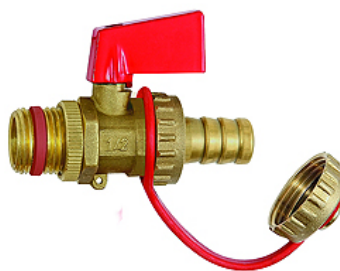
K-KFE-BKR

KFE-ball valves

HANSA FLEX

Karakteristike

Radni tlak	maks. 10 bar
Temperatura medija	max. +110 °C
Tuljak	I.D. 13
Ručka	Die cast zinc
Kugla, brtva reznog prstena	PTFE
Brtva vretena, tuljak crljeva, kapica	EPDM



Napomena

Drugi podatci na zahtjev.

Opis

Boiler, filling and drain valves for heating systems.

Artikl

Naziv	Navoj	B (mm)	C (mm)	L (mm)	Materijal
K- 07 30 30 34	G 1/2	37,0	20,0	74,6	Brass with a bare metal surface
K- 07 30 30 35	G 1/2	37,0	20,0	74,6	Nickel-plated brass