

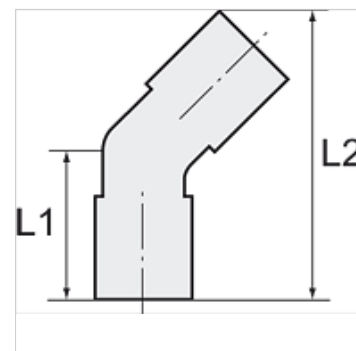
K-STECKNIPPEL 45°

45° elbow connectors with push-in plug

HANSA FLEX

Karakteristike

Radni tlak	Max. 15 bar, coarse vacuum
Područje primjene	Air, vacuum
preporučena crijeva	PU or PA (nylon)
Mediji	Compressed air and all gases or liquids that are compatible with the materials
Temperaturno područje	-20 °C to +80 °C
Materijal	Plastic, Nickel plated brass
Pritisni prsten	Plastic



Napomena

Drugi podatci na zahtjev.

Opis

Push-in fittings series manufactured in plastic and nickel-plated brass. All parts are suitable for use with hoses, tubes or pipes made of plastic and copper.

Artikli

Naziv	za vanjski Ø crijeva	L1 (mm)	L2 (mm)	Utična nazuvica (mm)
K- 07 40 04 88	4 mm	16,2	46,7	4
K- 07 40 04 89	6 mm	17,4	51,2	6
K- 07 40 04 90	8 mm	20,5	60,0	8
K- 07 40 04 91	10 mm	23,1	68,8	10
K- 07 40 04 92	12 mm	26,0	76,1	12