

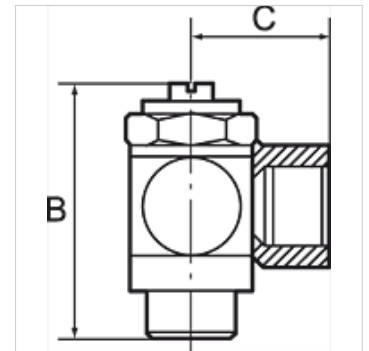
K-DRV GEW V SCHLITZ

Unidirectional flow control valves, incoming air restriction (»V«), screw connection

HANSA FLEX

Karakteristike

Radni tlak	maks. 10 bar
Temperaturno područje	0 °C to +70 °C
Šuplji vijak, zakretni krak, vijak za reguliranje	Nickel-plated brass
Unutarnji dijelovi	Brass with a bare metal surface
Brtvena usna O-prsten	NBR
Brtve (sa zaštitom od ispadanja)	Polyamide (glass fibre-reinforced)



Napomena

Drugi podatci na zahtjev.

Opis

For fine regulation of a cylinder piston speed in the forward and return motion and precise control of flow rates. Designed as a banjo-type valve with a hollow bolt and ring piece. Can be screwed directly onto the valve or cylinder to restrict the incoming air. Compact type of construction, also ideal where space is restricted.

Artikli

Naziv	Priključak	C (mm)	Navoj	SW (veličina ključa)	B (mm)
K- 07 15 25 21	M 5 female thread	11,5	M 5	8 mm	24,5
K- 07 15 05 70	G 1/8 female thread	16,0	G 1/8	14 mm	32,0
K- 07 15 05 66	G 1/4 female thread	22,0	G 1/4	17 mm	40,0
K- 07 15 25 22	G 3/8 female thread	26,0	G 3/8	20 mm	50,0