

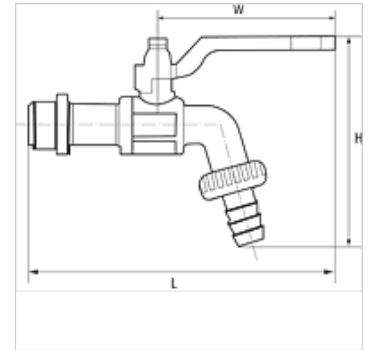
K-KUGELAUSLAUFHAEHNE VA

Bibcocks - Stainless steel

HANSA FLEX

Karakteristike

Područje primjene	Water, gaseous and non-corrosive media, compressed air
Radni tlak	16 bar
Temperaturno područje	-10 °C to +150 °C
Brtva	Teflon/NBR
Kućište	Stainless steel 1.4401
Materijal	sealing: Teflon/NBR



Napomena

Drugi podatci na zahtjev.

Opis

With hose connector, thread acc. to ISO 228-1, with lockable hand lever

Artikl

Naziv	DN	Priključak	PN (bar)	H (mm)	L (mm)	W (mm)
K- 07 30 30 30	12	G 1/2 male	16	91,0	149,0	90,0
K- 07 30 30 32	20	G 3/4 male	16	102,0	156,0	90,0
K- 07 30 30 28	25	G 1 male	16	116,0	145,0	90,0