

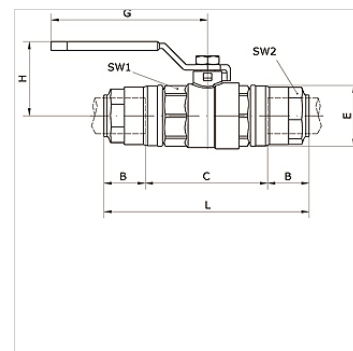
K-2-BK V DURCHG INFI

2/2-way ball valve Ø 20 mm - Ø 63 mm full bore

HANSA FLEX

Karakteristike

Mediji	Compressed air, vacuum, inert gases
Radni tlak	-0,99 bar - 15 bar
Temperaturno područje	-20 °C to +80 °C
Brtva	NBR
Kučište	Nickel-plated brass
Stezni prsten	Stainless steel 1.4301
Matica	Aluminium
O prsten	NBR
Sigurnosni prsteni	Technopolymer



Artikl

Naziv	Vanjski Ø cijevi	B (mm)	C (mm)	DN	E (mm)	G (mm)	H (mm)	L (mm)	SW1 (mm)	SW2 (mm)
K- 07 40 55 05	63 mm	57,5	38,0	59	94,0	240	111,5	232,0	89	75