

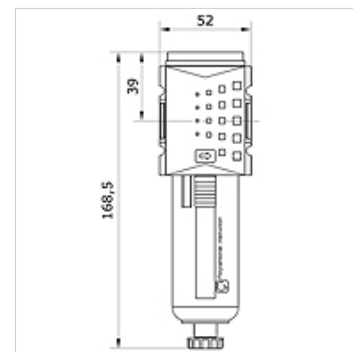
K-FI FEIN HANSA PRO

Compressed air fine filter, with manual/semi-automatic condensate drain, HANSA PRO

HANSA FLEX

Karakteristike

Temperatura medija	-10 °C to +50 °C
Okolna temperatura	-10 °C to +50 °C
Mediji	komprimirani zrak
Izvedba	fiber filter
Vrsta pričvršćenja	Line mounting, mounting kit or wall mounting
Ugradbeni položaj	Vertical, drain down
Finoća filtra	0,01 µm
Učinkovitost filtra	99.999 %
Nazivni protok G 1/2	750 l/min (P1 = 6 bar/Delta P = 0,1 bar)
Nazivni protok G 3/8	750 l/min (P1 = 6 bar/Delta P = 0,1 bar)
Pe maks.	16 bar
Filtarski element	Borsilicate-Al
Kućište	PA66
Sadržaj preostalog ulja	0,01 mg/m3



Artikli

Naziv	Priključak	Spremnik	Veličina	Ispust kondenzata
K- 07 25 21 28	G 3/8 i	polycarbonate with protective cage	2	manual / semi-automatic
K- 07 25 21 29	G 1/2 i	polycarbonate with protective cage	2	manual / semi-automatic
K- 07 25 21 30	G 3/8 i	zinc with visual display	2	manual / semi-automatic
K- 07 25 21 31	G 1/2 i	zinc with visual display	2	manual / semi-automatic