

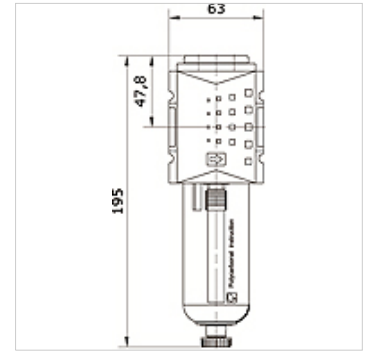
K-FI VOR HANSA PRO

Compressed air prefilter, with manual/semi-automatic condensate drain, HANSA PRO

HANSA FLEX

Karakteristike

| | |
|---------------------------|----------------------------------------------|
| Temperatura medija | -10 °C to +50 °C |
| Okolna temperatura | -10 °C to +50 °C |
| Mediji | komprimirani zrak |
| Izvedba | fiber filter |
| Vrsta pričvršćenja | Line mounting, mounting kit or wall mounting |
| Ugradbeni položaj | Vertical, drain down |
| Finoća filtra | 0,30 µm |
| Učinkovitost filtra | 99.999 % |
| maks. količina kondenzata | 49 cc |
| Nazivni protok G 1/2 | 580 l/min (P1 = 6 bar/Delta P = 0,02 bar) |
| Nazivni protok G 3/8 | 580 l/min (P1 = 6 bar/Delta P = 0,02 bar) |
| Pe maks. | 16 bar |
| Filtarski element | Paper-Al |
| Kućíšte | PA66 |
| Sadržaj preostalog ulja | 0,01 mg/m3 |



Artikli

| Naziv | Priključak | Spremnik | Veličina | Ispust kondenzata |
|----------------|------------|------------------------------------|----------|-------------------------|
| K- 07 25 21 24 | G 3/8 i | polycarbonate with protective cage | 2 | manual / semi-automatic |
| K- 07 25 21 25 | G 1/2 i | polycarbonate with protective cage | 2 | manual / semi-automatic |
| K- 07 25 21 26 | G 3/8 i | zinc with visual display | 2 | manual / semi-automatic |
| K- 07 25 21 27 | G 1/2 i | zinc with visual display | 2 | manual / semi-automatic |