

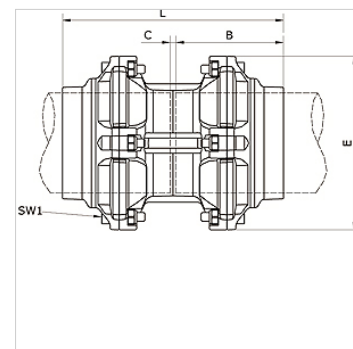
K-G-STECK VB 80-100 INFI

Straight push-in connector Ø 80 mm/Ø 110 mm

HANSA FLEX

Karakteristike

Mediji	Compressed air, vacuum, inert gases
Radni tlak	-0,99 bar - 15 bar
Temperaturno područje	-20 °C to +80 °C
Prsten za vođenje	Technopolymer
Kućište	Aluminium, treated surface
Imbus vijak	Galvanised steel
Stezni prsten	Stainless steel 1.4301
Matica	Aluminium, surface treated
O prsten	NBR
Samoosiguravajuća matica	Galvanised steel
Sigurnosni prsteni	Technopolymer



Artikli

Naziv	Vanjski Ø cijevi	B (mm)	C (mm)	E (mm)	L (mm)	SW1 (mm)
K- 07 40 55 14	80 - 80 mm	91,0	3,5	145,0	186,0	6
K- 07 40 54 65	110 - 110 mm	125,5	4,0	200,0	255,0	8