

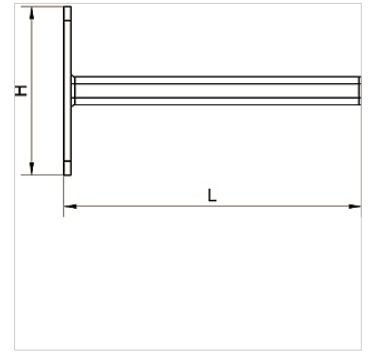
# K-KONSOLE STAHL VS INFI

Console made of steel galvanized

**HANSA FLEX**

## Karakteristike

Materijal Galvanised steel



## Artikl

Naziv	H (mm)	L (mm)	Duljina (m)
K- 07 40 54 90	120,0	280,0	0,280