

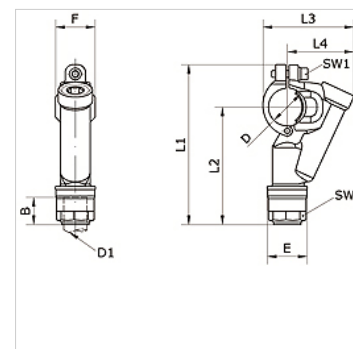
# K-SCHNELLFLAN 20-63 INFI

Quick assembly Ø 20 mm – Ø 63 mm

**HANSA FLEX**

## Karakteristike

Ugradbeni položaj	horizontally, vertically
Načela rada	Installation of a new connector without opening the pipe system
Materijal	poniklani mjed



## Artikli

Naziv	Vanjski Ø cijevi	B (mm)	D (mm)	D1 (mm)	E (mm)	F (mm)	L1 (mm)	L2 (mm)	L3 (mm)	L4 (mm)	SW (mm)	SW1 (mm)
K- 07 40 54 44	32 - 20 mm	31,5	32	20,0	34,5	34,0	136,5	100,5	78,0	57,0	30	5
K- 07 40 54 45	32 - 25 mm	38,5	32	25,0	42,5	34,0	144,5	108,5	78,0	57,0	35	5
K- 07 40 54 46	40 - 20 mm	31,5	40	20,0	34,5	34,0	148,5	108,0	89,5	64,0	30	5
K- 07 40 54 47	40 - 25 mm	38,5	40	25,0	42,5	34,0	156,5	116,0	89,5	64,0	35	5
K- 07 40 54 48	50 - 20 mm	31,5	50	20,0	34,5	42,5	167,5	118,5	105,5	74,0	30	6
K- 07 40 54 49	50 - 25 mm	38,5	50	25,0	42,5	42,5	175,5	126,5	105,5	74,0	35	6
K- 07 40 54 50	63 - 20 mm	31,5	63	20,0	34,5	42,5	185,0	130,0	119,0	81,0	30	6
K- 07 40 54 51	63 - 25 mm	38,5	63	25,0	42,5	42,5	193,0	138,0	119,0	81,0	35	6