

K-STECK VB 20-63 INFI

Straight push-in connector Ø 20 mm – Ø 63 mm

HANSA FLEX

Karakteristike

Mediji Compressed air, vacuum, inert gases

Radni tlak -0,99 bar - 15 bar

Temperaturno područje -20 °C to +80 °C

Brtva NBR

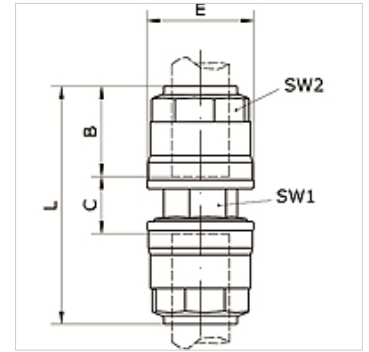
Kućište Aluminium

Stezni prsten Stainless steel 1.4301

Matica Aluminium

O prsten NBR

Sigurnosni prsteni Technopolymer



Artikli

Naziv	Vanjski Ø cijevi	B (mm)	C (mm)	E (mm)	L (mm)	SW1 (mm)	SW2 (mm)
K- 07 40 54 97	63 mm	57,5	44,0	94,0	159,0	73	75