

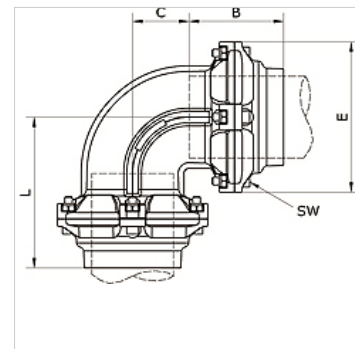
K-W90 STECK VB 80-100 INFI

90°-elbow push-in connector Ø 80 mm/Ø 110 mm

HANSA FLEX

Karakteristike

| | |
|--------------------------|-------------------------------------|
| Mediji | Compressed air, vacuum, inert gases |
| Radni tlak | -0,99 bar - 15 bar |
| Temperaturno područje | -20 °C to +80 °C |
| Prsten za vođenje | Technopolymer |
| Kućište | Aluminium, treated surface |
| Stezni prsten | Stainless steel 1.4301 |
| Matica | Aluminium, surface treated |
| O prsten | NBR |
| Samoosiguravajuća matica | Galvanised steel |
| Sigurnosni prsteni | Technopolymer |



Artikli

| Naziv | Vanjski Ø cijevi | B (mm) | C (mm) | E (mm) | L (mm) | SW (mm) |
|----------------|------------------|--------|--------|--------|--------|---------|
| K- 07 40 55 15 | 80 - 80 mm | 91,0 | 54,5 | 145,0 | 146,0 | 6 |
| K- 07 40 54 66 | 110 - 110 mm | 125,5 | 75,0 | 200,0 | 200,5 | 8 |