

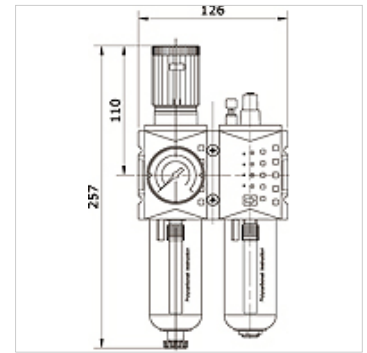
K-WTEH 2-TEILIG HANSA PRO

2-part service unit, with manual/semi-automatic condensate drain and pressure gauge, HANSA PRO

HANSA FLEX

Karakteristike

| | |
|------------------------------|---|
| Izlazni tlak | Pa 0,5 - 8 bar (Standart)Pa 0,1 - 1 barPa 0,1 - 2 barPa 0,2 - 4 barPa 0,5 - 10 barPa 0,5 - 16 bar |
| Temperatura medija | -10 °C to +50 °C |
| Okolna temperatura | -10 °C to +50 °C |
| Mediji | komprimirani zrak |
| Izvedba | Diaphragm pressure regulator with relieving, centrifugal filter, mist lubricator |
| Vrsta pričvršćenja | Line mounting, panel mounting, mounting kit or wall mounting |
| Aktiviranje / osiguranje | lockable handwheel |
| Ugradbeni položaj | Vertical, drain down |
| Finoća filtra | 5,00 µm |
| Priključak manometra | G 1/4 i |
| maks. količina kondenzata | 49 cc |
| maks. količina punjenja ulja | 80 cc |
| Nazivni protok G 1/2 | 3.500 l/min (P1 = 10 bar, P2 = 6,3 bar/Delta P = 1 bar) |
| Nazivni protok G 3/8 | 3.500 l/min (P1 = 10 bar, P2 = 6,3 bar/Delta P = 1 bar) |
| Doz. ulja pri qv=1000 l/min | 1-2 drops / min (guideline) |
| PE maks. 12 | 16 bar |
| Filtarski element | Cellpor |
| Kućište | PA66 |
| Membrane, brtve | Ms/NBR/PA6 |
| Nastavak za kapanje | Polycarbonate |
| Vrsta ulja | CL 32 acc. to DIN 51517 - ISO VG 32 |



Artikli

| Naziv | Priključak | Regulacijsko područje | Područja prikaza | Spremnik | Veličina | Ispust kondenzata |
|----------------|------------|-----------------------|------------------|------------------------------------|----------|-------------------------|
| K- 07 25 21 88 | G 3/8 i | 0.1 - 1 bar | 0 - 1,6 bar | polycarbonate with protective cage | 2 | manual / semi-automatic |
| K- 07 25 21 89 | G 3/8 i | 0.1 - 2 bar | 0 - 2,5 bar | polycarbonate with protective cage | 2 | manual / semi-automatic |
| K- 07 25 21 90 | G 3/8 i | 0.2 - 4 bar | 0 - 6 bar | polycarbonate with protective cage | 2 | manual / semi-automatic |
| K- 07 25 21 91 | G 3/8 i | 0.5 - 8 bar | 0 - 10 bar | polycarbonate with protective cage | 2 | manual / semi-automatic |
| K- 07 25 21 92 | G 3/8 i | 0.5 - 10 bar | 0 - 16 bar | polycarbonate with protective cage | 2 | manual / semi-automatic |
| K- 07 25 21 93 | G 3/8 i | 0.5 - 16 bar | 0 - 25 bar | polycarbonate with protective cage | 2 | manual / semi-automatic |
| K- 07 25 21 94 | G 1/2 i | 0.1 - 1 bar | 0 - 1,6 bar | polycarbonate with protective cage | 2 | manual / semi-automatic |
| K- 07 25 21 95 | G 1/2 i | 0.1 - 2 bar | 0 - 2,5 bar | polycarbonate with protective cage | 2 | manual / semi-automatic |
| K- 07 25 21 96 | G 1/2 i | 0.2 - 4 bar | 0 - 6 bar | polycarbonate with protective cage | 2 | manual / semi-automatic |
| K- 07 25 21 97 | G 1/2 i | 0.5 - 8 bar | 0 - 10 bar | polycarbonate with protective cage | 2 | manual / semi-automatic |
| K- 07 25 21 98 | G 1/2 i | 0.5 - 10 bar | 0 - 16 bar | polycarbonate with protective cage | 2 | manual / semi-automatic |
| K- 07 25 21 99 | G 1/2 i | 0.5 - 16 bar | 0 - 25 bar | polycarbonate with protective cage | 2 | manual / semi-automatic |
| K- 07 25 22 00 | G 3/8 i | 0.1 - 1 bar | 0 - 1,6 bar | zinc with visual display | 2 | manual / semi-automatic |
| K- 07 25 22 01 | G 3/8 i | 0.1 - 2 bar | 0 - 2,5 bar | zinc with visual display | 2 | manual / semi-automatic |
| K- 07 25 22 02 | G 3/8 i | 0.2 - 4 bar | 0 - 6 bar | zinc with visual display | 2 | manual / semi-automatic |
| K- 07 25 22 03 | G 3/8 i | 0.5 - 8 bar | 0 - 10 bar | zinc with visual display | 2 | manual / semi-automatic |
| K- 07 25 22 04 | G 3/8 i | 0.5 - 10 bar | 0 - 16 bar | zinc with visual display | 2 | manual / semi-automatic |
| K- 07 25 22 05 | G 3/8 i | 0.5 - 16 bar | 0 - 25 bar | zinc with visual display | 2 | manual / semi-automatic |
| K- 07 25 22 06 | G 1/2 i | 0.1 - 1 bar | 0 - 1,6 bar | zinc with visual display | 2 | manual / semi-automatic |
| K- 07 25 22 07 | G 1/2 i | 0.1 - 2 bar | 0 - 2,5 bar | zinc with visual display | 2 | manual / semi-automatic |
| K- 07 25 22 08 | G 1/2 i | 0.2 - 4 bar | 0 - 6 bar | zinc with visual display | 2 | manual / semi-automatic |
| K- 07 25 22 09 | G 1/2 i | 0.5 - 8 bar | 0 - 10 bar | zinc with visual display | 2 | manual / semi-automatic |
| K- 07 25 22 10 | G 1/2 i | 0.5 - 10 bar | 0 - 16 bar | zinc with visual display | 2 | manual / semi-automatic |
| K- 07 25 22 11 | G 1/2 i | 0.5 - 16 bar | 0 - 25 bar | zinc with visual display | 2 | manual / semi-automatic |